

REV. C

SAE AS4377

FEDERAL SUPPLY CLASS
4730

RATIONALE

AS4377C HAS BEEN REAFFIRMED TO COMPLY WITH THE SAE FIVE-YEAR REVIEW POLICY.

SAE Technical Standards Board Rules provide that: "This report is published by SAE to advance the state of technical and engineering sciences. The use of this report is entirely voluntary, and its applicability and suitability for any particular use, including any patent infringement arising therefrom, is the sole responsibility of the user." SAE reviews each technical report at least every five years at which time it may be revised, reaffirmed, stabilized, or cancelled. SAE invites your written comments and suggestions.

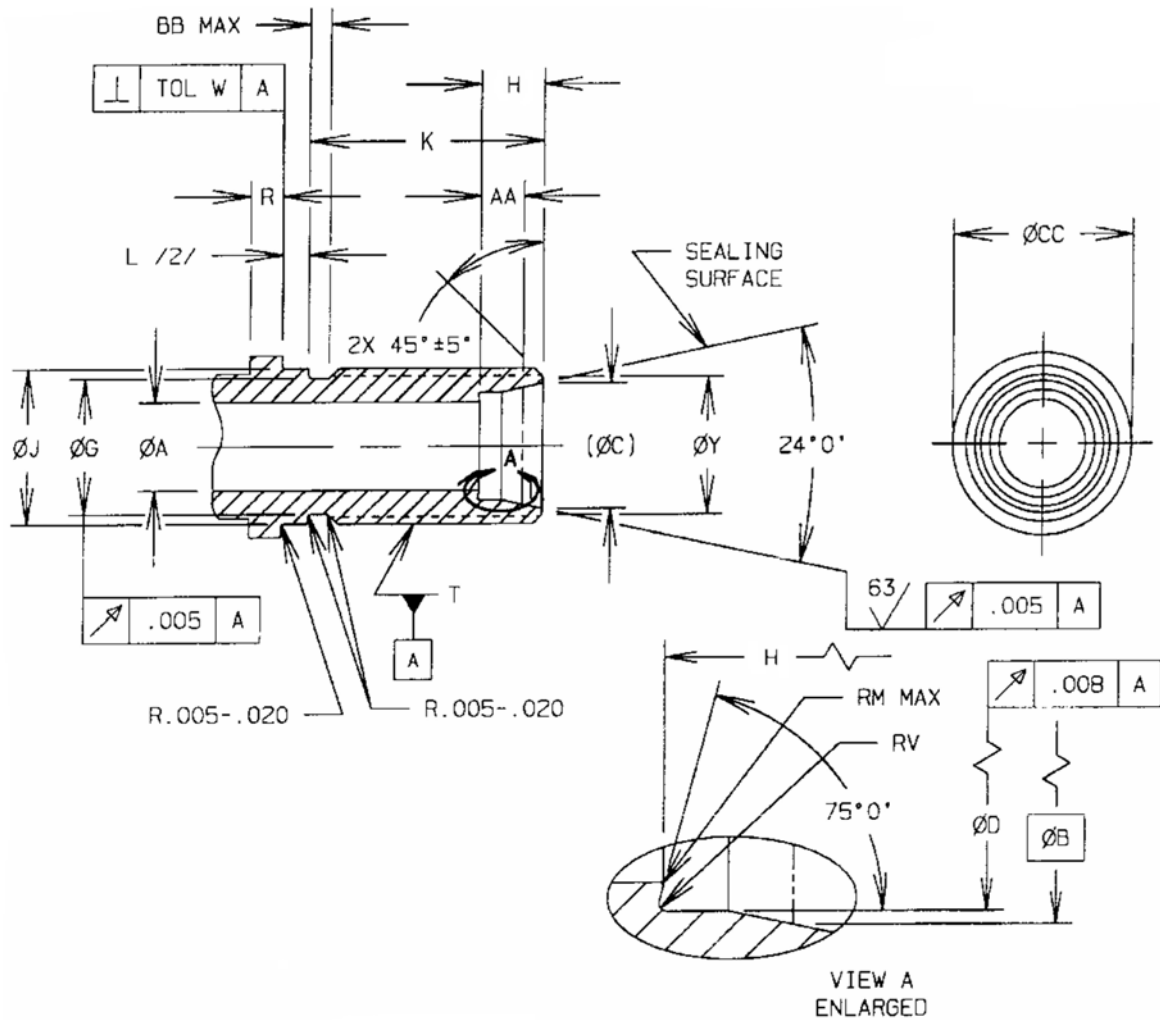
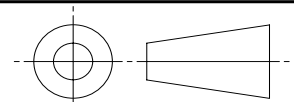


FIGURE 1 - FITTING END DESIGN, STYLE G

INACTIVE IN PART /10/

SAE values your input. To provide feedback on this Technical Report, please visit <http://www.sae.org/technical/standards/AS4377C>

THIRD ANGLE PROJECTION



CUSTODIAN: G-3/G-3B

PROCUREMENT SPECIFICATION: NONE /1/

SAE Aerospace
An SAE International Group

AEROSPACE STANDARD

FITTING END, BULKHEAD,
FLARELESS, DESIGN STANDARD

SAE AS4377
SHEET 1 OF 5

REV. C

ISSUED 1992-07 REVISED 2003-05 REAFFIRMED 2013-01

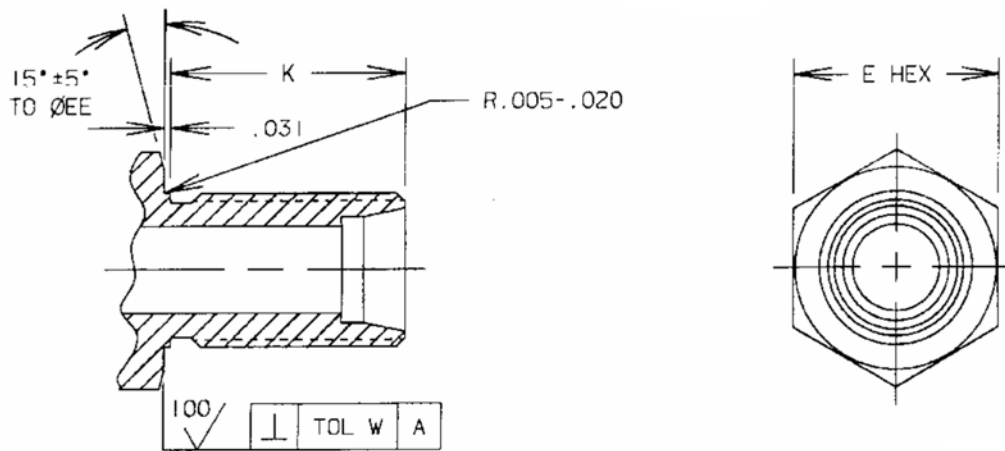


FIGURE 2 - FITTING END DESIGN, STYLE H
SAME AS STYLE G EXCEPT AS SHOWN

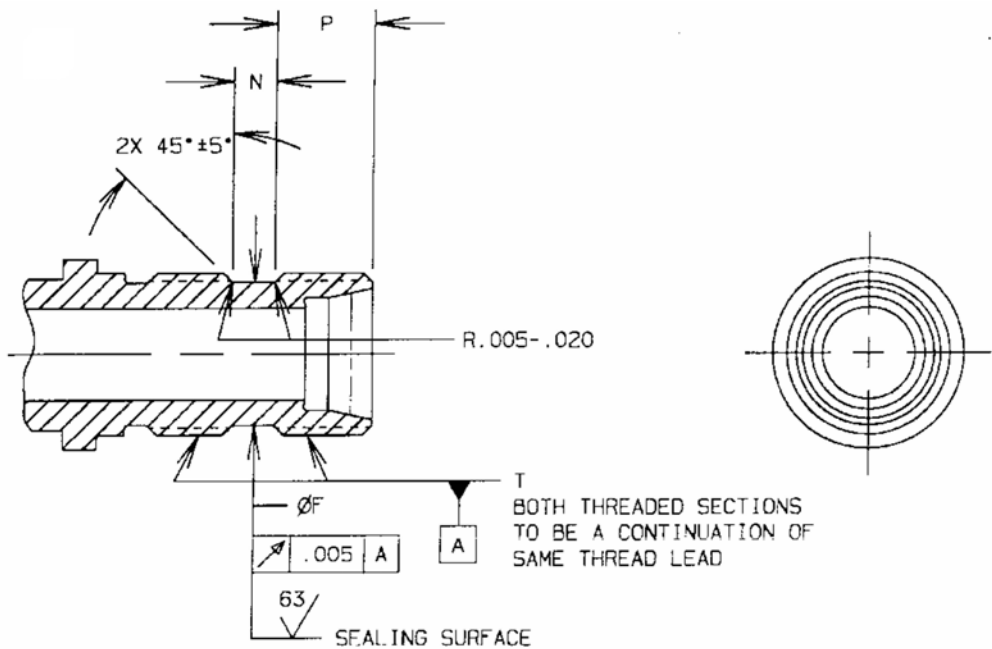


FIGURE 3 - FITTING END DESIGN, STYLE S
SAME AS STYLE G EXCEPT AS SHOWN
STYLE S IS INACTIVE FOR NEW DESIGN AS OF THE PUBLICATION DATE OF
REVISION B OF THIS STANDARD. USE STYLE G FOR NEW DESIGN. /10/